

Technical Data

For detailed data and product description refer to the data sheets at www.pepperl-fuchs.com

General Data

Rated operating distance	2 mm
Installation	flush
Switching element function	NAMUR, NC
Nominal voltage	8 V DC
Current consumption	
Measuring plate not detected	≥ 3 mA
Measuring plate detected	≤ 1 mA
Switching frequency	0 ... 3000 Hz
Suitable for 2:1 technology	✓, with reverse polarity protection diode
Ambient temperature	-40 ... 100 °C (-40 ... 212 °F)
Protection degree	IP68
Connection type	cable silicon, 2 m



Properties

- Ø11/14 mm housing
- 2 mm, flush mountable
- DC, NAMUR safety interface
- Cable version

Your Benefit

- Usable up to SIL 3 acc. to IEC 61508
- Usable in hazardous area
- High protection degree (IP68)

Model Number

		NJ2-11-SN	NJ2-11-SN-G
Housing material	Stainless steel 1.4305 / AISI 303		●
	PVDF	●	

Use in the Hazardous Area

Use in the hazardous area	see instruction manuals	●	●
Category	1G; 2G; 1D	●	●

Approvals and Certificates

FM control drawing	116-0165F	●	●
UL approval	cULus Listed, General Purpose	●	●
CSA approval	cCSAus Listed, General Purpose	●	●
CCC approval	Products with a maximum operating voltage of ≤36 V do not bear a CCC marking because they do not require approval.		

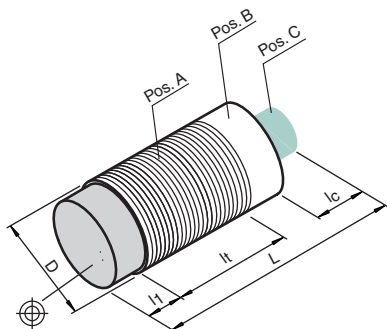
Dimensions

		31	30
Length L [mm]			
Diameter D [mm]		11	14
Thread length l _t [mm]		0	30
Cap length l ₁ [mm]			0
Connector area l _c [mm]			0
LED position			-

Accessories

This and more accessories can be found in chapter 10
 See pages from 972 ... for cordsets See pages 1068 ... for mounting aids

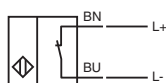
BF 11 Mounting flange, 11 mm



Electrical Connection



NJ2-11-SN
 NJ2-11-SN-G



Date of issue 04/08/2015

1
.1.1



Proximity Sensors, Inductive Sensors, cylindrical



Properties

- Ø12 mm housing
- 2 mm, flush and 4 mm, non-flush mountable versions
- DC, NAMUR safety interface
- Cable version

Your Benefit

- Usable up to SIL 3 acc. to IEC 61508
- Usable in hazardous area
- High protection degree (IP68)

Technical Data

For detailed data and product description refer to the data sheets at www.pepperl-fuchs.com

General Data

Switching element function	NAMUR, NC
Nominal voltage	8 V DC
Current consumption	
Measuring plate not detected	≥ 3 mA
Measuring plate detected	≤ 1 mA
Housing material	PP
Protection degree	IP68
Connection type	cable silicon, 2 m



Model Number

	green = preferred type		
Rated operating distance	2 mm 4 mm		
Installation	flush non-flush		
Switching frequency	0 ... 1500 Hz 0 ... 2000 Hz		
Suitable for 2:1 technology	✓, with reverse polarity protection diode		
Ambient temperature	-40 ... 100 °C (-40 ... 212 °F) -50 ... 100 °C (-58 ... 212 °F)		

NJ2-12GK-SN

NJ4-12GK-SN

Use in the Hazardous Area

Use in the hazardous area	see instruction manuals		
Category	1G; 2G; 1D 1G; 2G; 3G; 1D; 3D		

Approvals and Certificates

FM control drawing	116-0165F		
UL approval	cULus Listed, General Purpose		
CSA approval	cCSAus Listed, General Purpose		
CCC approval	Products with a maximum operating voltage of ≤36 V do not bear a CCC marking because they do not require approval.		

Dimensions

Length L [mm]	34
Diameter D [mm]	12
Thread length l _t [mm]	30
Cap length l ₁ [mm]	0
Connector area l _c [mm]	0
LED position	-

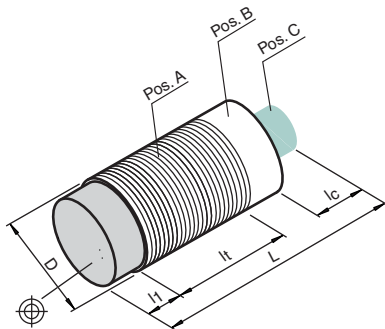
Accessories

This and more accessories can be found in chapter 10

See pages from 972 ... for cordsets

See pages 1068 ... for mounting aids

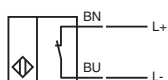
BF 12	Mounting flange, 12 mm
EXG-12	Quick mounting bracket with dead stop



Electrical Connection



NJ4-12GK-SN
NJ2-12GK-SN



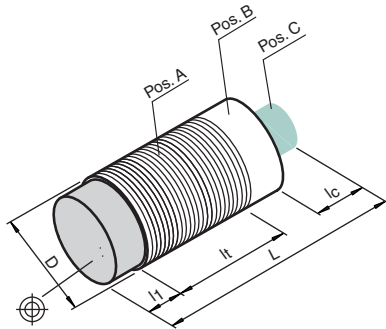


Properties

- Ø18 mm housing
- Up to 8 mm, flush and non-flush mountable versions
- DC, NAMUR safety interface
- Cable version

Your Benefit

- Usable up to SIL 3 acc. to IEC 61508
- Usable in hazardous area
- Versions with high protection degree (IP68)
- Versions usable in applications that require extended temperature range up to +130 °C (266 °F)



Technical Data

For detailed data and product description refer to the data sheets at www.pepperl-fuchs.com

General Data

Nominal voltage	8 V DC
Connection type	cable silicon , 2 m



Model Number

		NJ3-18GK-S1N	NJ3-18GK-S1N-130	NJ5-18GK-SN	NJ8-18GK-SN
Rated operating distance	green = preferred type	●	●		
	3 mm	●	●		
	5 mm			●	
Installation	8 mm				●
	flush	●	●	●	
Switching element function	non-flush				●
	NAMUR, NO	●	●		
Current consumption	NAMUR, NC			●	●
	Measuring plate not detected	≥ 3 mA		●	●
Measuring plate detected	≤ 1 mA	●	●		
	≥ 3 mA	●	●		
Switching frequency	≤ 1 mA			●	●
	0 ... 200 Hz	●	●		●
Suitable for 2:1 technology	0 ... 500 Hz			●	
	✓ , Reverse polarity protection diode not required	●			
Ambient temperature	-25 ... 100 °C (-13 ... 212 °F)	●			
	-25 ... 130 °C (-13 ... 266 °F)		●		
	-40 ... 100 °C (-40 ... 212 °F)			●	●
Housing material	Hostalen PPN, black	●			●
	PP			●	
Protection degree	PPS , PTFE		●		
	IP65		●		
	IP68	●		●	●

Use in the Hazardous Area

Use in the hazardous area	see instruction manuals	●	●	●
Category	1G; 2G; 3G; 1D	●	●	●
	1G; 2G; 3G; 1D; 3D			●

Approvals and Certificates

FM control drawing	116-0165F	●	●	●
UL approval	cULus Listed, General Purpose	●	●	●
CSA approval	cCSAus Listed, General Purpose	●	●	●
CCC approval	Products with a maximum operating voltage of ≤36 V do not bear a CCC marking because they do not require approval.			

Dimensions

Length L [mm]	40.5	39
Diameter D [mm]		18
Thread length l ₁ [mm]		34.5
Cap length l ₁ [mm]		1
Connector area l _c [mm]		0
LED position		-

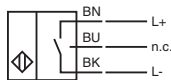
Accessories This and more accessories can be found in chapter 10

BF 18	Mounting flange, 18 mm	See pages 972 ... for cordsets	See pages 1068 ... for mounting aids
EXG-18	Quick mounting bracket with dead stop		

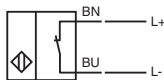
Electrical Connection



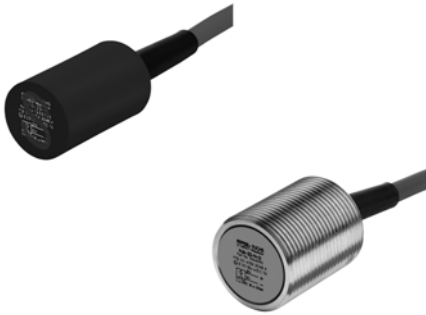
NJ3-18GK-S1N
NJ3-18GK-S1N-130



NJ5-18GK-SN
NJ8-18GK-SN



1
.1.1



Properties

- Ø22 mm / PG21 housing
- 6 mm, flush mountable
- DC, NAMUR safety interface
- Cable version

Your Benefit

- Usable up to SIL 3 acc. to IEC 61508
- Usable in hazardous area
- High protection degree (IP68)

Technical Data

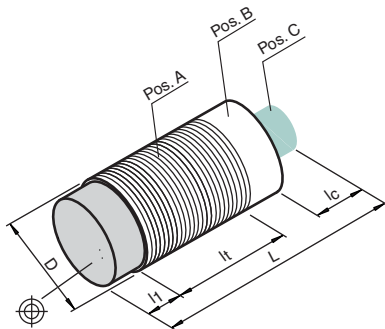
For detailed data and product description refer to the data sheets at www.pepperl-fuchs.com

General Data

Rated operating distance	6 mm
Installation	flush
Switching element function	NAMUR, NC
Nominal voltage	8 V DC
Current consumption	
Measuring plate not detected	≥ 3 mA
Measuring plate detected	≤ 1 mA
Switching frequency	0 ... 2000 Hz
Suitable for 2:1 technology	✓, with reverse polarity protection diode
Ambient temperature	-40 ... 100 °C (-40 ... 212 °F)
Protection degree	IP68
Connection type	cable silicon, 2 m



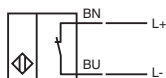
Model Number	NJ6-22-SN	NJ6-22-SN-G
Housing material	Stainless steel 1.4305 / AISI 303	●
	PBT	●
Use in the Hazardous Area		
Use in the hazardous area	see instruction manuals	●
Category	1G; 2G; 1D	●
Approvals and Certificates		
FM control drawing	116-0165F	●
UL approval	cULus Listed, General Purpose	●
CSA approval	cCSAus Listed, General Purpose	●
CCC approval	Products with a maximum operating voltage of ≤36 V do not bear a CCC marking because they do not require approval.	●
Dimensions		
Length L [mm]		35
Diameter D [mm]	22	PG21
Thread length l _t [mm]	0	35
Cap length l ₁ [mm]		0
Connector area l _c [mm]		0
LED position		-



Electrical Connection



NJ6-22-SN
NJ6-22-SN-G



Date of issue: 04/08/2015

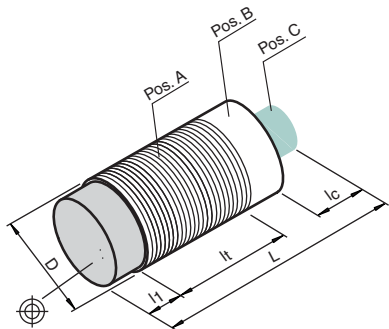


Properties

- Ø30 mm housing
- Up to 15 mm, flush and non-flush mountable versions
- DC, NAMUR safety interface
- Cable version

Your Benefit

- Usable up to SIL 3 acc. to IEC 61508
- Usable in hazardous area
- High protection degree (IP68)
- Versions usable in applications that require extended temperature range down to -50 °C (-58 °F)



Technical Data

For detailed data and product description refer to the data sheets at www.pepperl-fuchs.com

General Data

Nominal voltage	8 V DC
Housing material	PP
Protection degree	IP68
Connection type	cable silicon , 2 m



Model Number

	green = preferred type			
Rated operating distance	5 mm		●	
	10 mm			●
	15 mm			●
Installation	flush		●	●
	non-flush			●
Switching element function	NAMUR, NO		●	
	NAMUR, NC			●
Current consumption				
Measuring plate not detected	≥ 3 mA			●
	≤ 1 mA		●	
Measuring plate detected	≥ 3 mA		●	
	≤ 1 mA			●
Switching frequency	0 ... 100 Hz		●	
	0 ... 150 Hz			●
	0 ... 300 Hz			●
Suitable for 2:1 technology	✓, with reverse polarity protection diode		●	
Ambient temperature	-25 ... 100 °C (-13 ... 212 °F)		●	
	-40 ... 100 °C (-40 ... 212 °F)			●
	-50 ... 100 °C (-58 ... 212 °F)			●

Use in the Hazardous Area

Use in the hazardous area	see instruction manuals		●	●	●
Category	1G; 2G; 1D		●	●	
	1G; 2G; 3G; 1D; 3D				●

Approvals and Certificates

FM control drawing	116-0165F		●	●	●
UL approval	cULus Listed, General Purpose		●	●	●
CSA approval	cCSAus Listed, General Purpose		●	●	●
CCC approval	Products with a maximum operating voltage of ≤36 V do not bear a CCC marking because they do not require approval.				

Dimensions

Length L [mm]	40
Diameter D [mm]	30
Thread length l ₁ [mm]	34.5
Cap length l ₂ [mm]	1
Connector area l _c [mm]	0
LED position	-

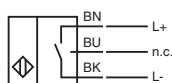
Accessories This and more accessories can be found in chapter 10
See pages from 972 ... for cordsets See pages 1068 ... for mounting aids

BF 30	Mounting flange, 30 mm
--------------	------------------------

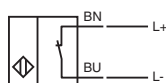
Electrical Connection



NJ5-30GK-S1N



NJ10-30GK-SN
NJ15-30GK-SN



Date of issue 04/08/2015

Refer to "General Notes Relating to Pepperl+Fuchs Product Information".

Pepperl+Fuchs Group
www.pepperl-fuchs.com

USA: +1 330 486 0001
fa-info@us.pepperl-fuchs.com

Germany: +49 621 776 4411
fa-info@de.pepperl-fuchs.com

Singapore: +65 6779 9091
fa-info@sg.pepperl-fuchs.com

Courtesy of Steven Engineering, Inc - (800) 258-9200 - sales@steveng.com - www.stevenengineering.com